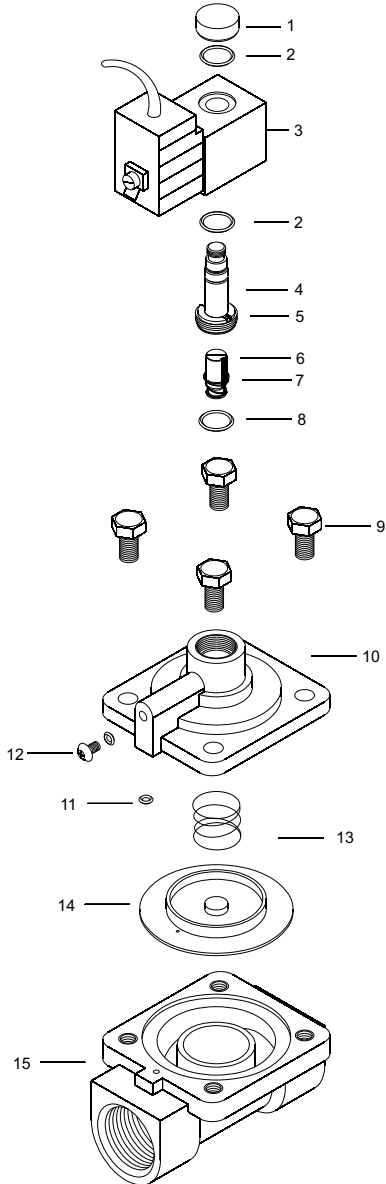


# QUEEN Explosion Proof, Piloted Solenoid Valve, Normally Closed.

## Features:

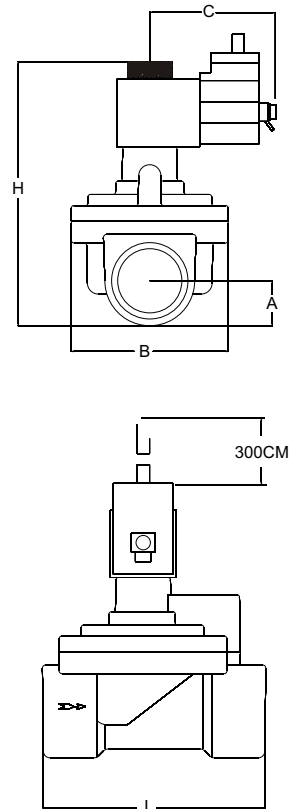
1. Explosion proof : Ex mb 11 T4, Ex mD 21 T135 .
2. Pilot operated, high flow rate and low electric power consumption only 5.2 watts.
3. Suitable for Air, Inert gases, Water, Kerosene oil, Light oil (Below 50 cst).
4. Operating pressure range from 0.3 kgf/cm<sup>2</sup> ~ 16 kgf/cm<sup>2</sup>, quick acting, durable usage.
5. Piping is simple and convenient, applicable to the upright pipe or a horizontal pipe connected unrestricted.



Model	Conne ction	L (mm)	H (mm)	A (mm)	B (mm)	C (mm)
MD-P10WAG-EXP	PT 3/8"	80	98	15	52	60
MD-P15WAG-EXP	PT 1/2"	80	98	15	52	
MD-P20WAG-EXP	PT 3/4"	90	108	17.5	62	
MD-P25WAG-EXP	PT 1"	100	118	23	72	

## Parts , Material Table

No.	Parts	Material Specifications
1	Nut	Aluminium
2	O Ring	NBR
3	Coil's Ass'y	
4	Plunger's Tube	SUS304, KM-31
5	Plunger's Tube Nut	Zn
6	Plunger	KM-31
7	Plunger Spring	SUS 304
8	O Ring	NBR EPDM VITON
9	Bolt	SUS304
10	Valve Bonnet	BSBF
11	O Ring	NBR EPDM VITON
12	Screw	SUS304
13	Diaphragm Spring	SUS 304
14	Diaphragm A'ssy	NBR EPDM VITON
15	Valve body	BSBF



## Valve Selection and Performance Chart

Model	Connection	Orifice (mm)	Cv Value	Operating pressure (kg*f/cm <sup>2</sup> )			Max. Media Temp.	Power Consumption
				Air Inert gases	Water	Oil (Below 50cst)		
MD-P10WAG-EXP	PT 3/8"	16	4.5	0.3-16	0.5-16	0.5-12	90°C	5W
MD-P15WAG-EXP	PT 1/2"	16	4.5					
MD-P20WAG-EXP	PT 3/4"	23	7.6					
MD-P25WAG-EXP	PT 1"	28	9.6					

\* NPT on request.