

## 2-way kick pilot operated diaphragm solenoid valves normally closed, energized to open



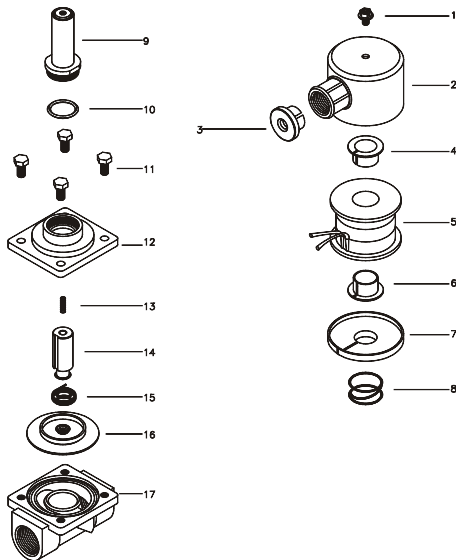
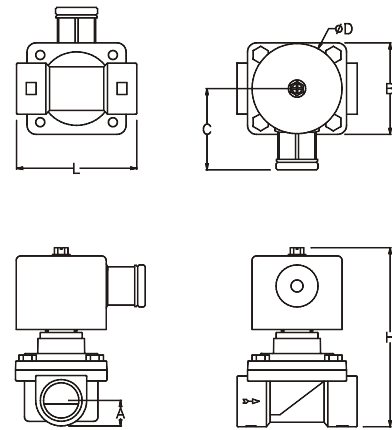
### Features:

1. Suitable for air, inert gases, vacuum (10 TORR), water, kerosene oil, and oil (Below 50 cst).
2. Diaphragm-operated, pressure range from vacuum (10 TORR) up to 10kg\*f/cm<sup>2</sup>, quick acting.
3. Can be mounted in vertical and horizontal position.

Model	Connection	Orifice (mm)	Cv Value	Operating pressure (kg*f/cm <sup>2</sup> )		Max. Media Temp.	Power Consumption VA
				Air, Water Inert gases	Oil (Below 50cst)		
MD-10WAG	PT 3/8"	16	3.7	0-10	0-7	90 °C	26(AC) 21(DC)
MD-15WAG(SCS <sup>13</sup> <sub>14</sub> )	PT 1/2"	16	3.7				
MD-20WAG(SCS <sup>13</sup> <sub>14</sub> )	PT 3/4"	23	6.3				
MD-25WAG(SCS <sup>13</sup> <sub>14</sub> )	PT 1"	28	8				
MD-32WAG(SCS <sup>13</sup> <sub>14</sub> )	PT 1 1/4"	32	13				
MD-40WAG(SCS <sup>13</sup> <sub>14</sub> )	PT 1 1/2"	40	20.3				
MD-50WAG(SCS <sup>13</sup> <sub>14</sub> )	PT 2"	50	32				

\* NPT on request. \*(SCS13)(SCS14) Valve bonnet, Valve body material(SCS13)(SCS14).

Model	Connection	L (mm)	H (mm)	A (mm)	B (mm)	C (mm)	D (mm)
MD-10WAG	PT 3/8"	70	112	15	52	56	φ62
MD-15WAG (SCS <sup>13</sup> <sub>14</sub> )	PT 1/2"	70	112	15	52		
MD-20WAG (SCS <sup>13</sup> <sub>14</sub> )	PT 3/4"	80	122	17.5	62		
MD-25WAG (SCS <sup>13</sup> <sub>14</sub> )	PT 1"	90	132	23	72		
MD-32WAG (SCS <sup>13</sup> <sub>14</sub> )	PT 1 1/4"	120	130	26	83		
MD-40WAG (SCS <sup>13</sup> <sub>14</sub> )	PT 1 1/2"	136	140	32	97		
MD-50WAG (SCS <sup>13</sup> <sub>14</sub> )	PT 2"	160	150	37	112		



NO.	Descriptions	Material	NO.	Descriptions	Material
1	Bolt	SWRM	10	O ring	NBR
2	Coil bonnet	SPC	11	Bolt	SUS 304
3	Lead cap	ABS	12	Valve bonnet	3/8"-1"(C3771BE) 1-1/4"-2"(BC 6) 1/2"-2"(SCS13/SCS14)
4	Bobbin sleeve	SPC	13	Plunger spring	SUS 304
5	Solenoid coil	B Class	14	Plunger	KM-31
6	Bobbin sleeve	SPC	15	Spring	SUS 304
7	Spacer	SPC	16	Diaphragm a'ssy	SUS304, BSBF(SUS304) NBR (EPDM) (VITON)
8	Coil spring	SWP2	17	Valve body	3/8"-1"(C3771BE) 1-1/4"-2"(BC 6) 1/2"-2"(SCS13/SCS14)
9	Plunger tube unit	SUS 304, KM-31			

\*(SCS13) Valve bonnet, Valve body material SCS13.

\*(SCS14) Valve bonnet, Valve body material SCS14.