

Specifications:

Rated voltage	100~120VAC/1-ph 200~240VAC/1-ph
Acting time	12/10sec. (50/60Hz)
Media	Oil, Air, Water
Fluid temp.	10~60°C Other temp. available on request
Pressure range	Max. 10 kgf/cm ²
Valve material	SUS 316
Valve type	3-way threaded ball valve
Control method	ON/OFF Modulating
Insulation	IP 67
Certification	CE

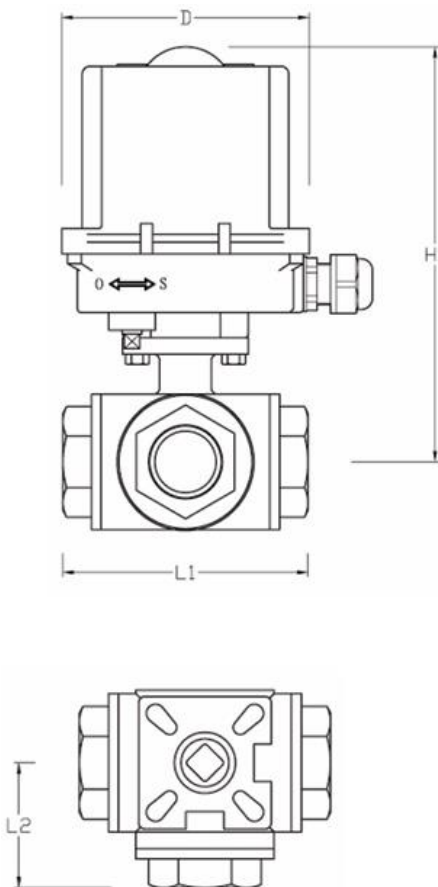


Optional

- Heater
- Auxiliary Switches
- Build-in LED position indicator
- Voltage: 12 VDC; 24VAC/DC
- Potentiometer (5k Ohm)

Dimension (mm)

MODEL	PIPE SIZE	L1	L2	H	D
JS-01-15-3WAY	1/2"	76	37	188	127
JS-01-20-3WAY	3/4"	87	45	195	127
JS-01-25-3WAY	1"	102	51	206	127
JS-02-35-3WAY	1-1/4"	118	58	211	127
JS-02-40-3WAY	1-1/2"	126	63	228	127
JS-03-40-3WAY	1-1/2"	126	63	278	157
JS-03-50-3WAY	2"	149	75	287	157



Wiring diagram :110/220 VAC (1-Phase)

