

# Queen

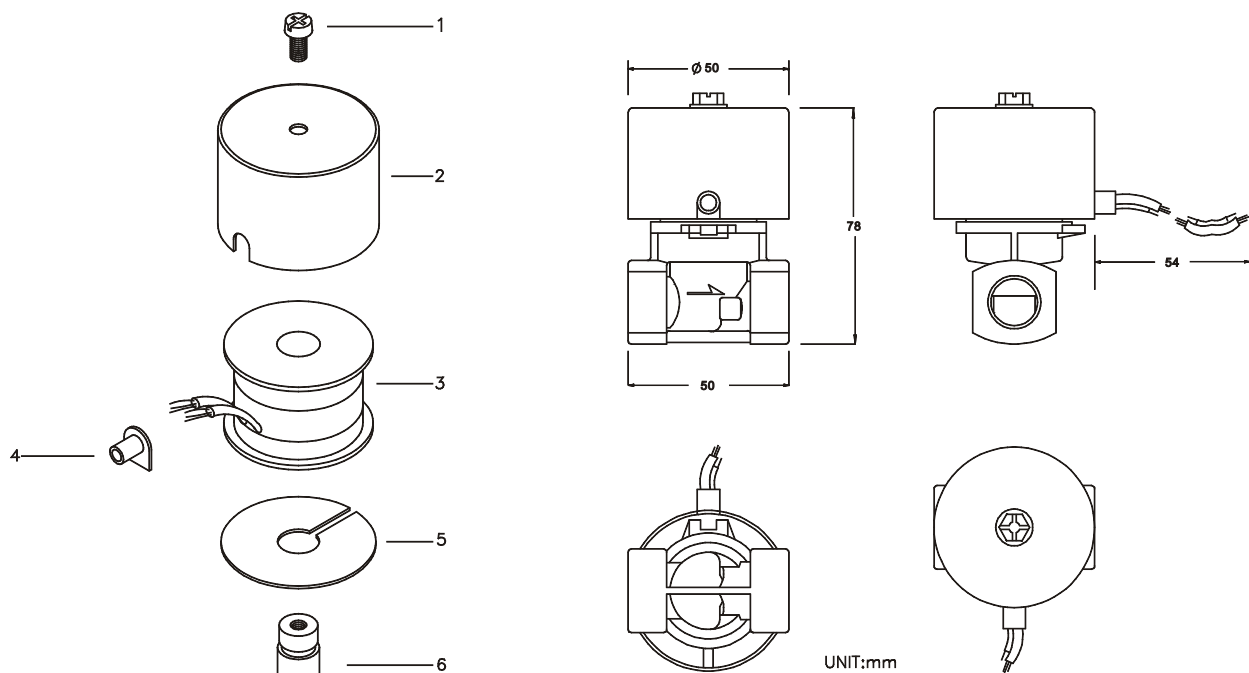
Direct acting 2-way solenoid valves normally closed, energized to open



**Features:**

1. Suitable for LPG gas, low vacuum air.
2. Direct acting valve with high flow rate at low pressure.
3. Can be mounted in vertical position or vertical  $\pm 15^\circ$  is allowed.

Model	Connection	Orifice (mm)	Max. (Kg*f/cm <sup>2</sup> )	Power Consumption VA	Cv Value	Max. Media Temp.
			LPG GAS			
MG-10	PT 3/8"	10	0-1	22	1.7	60 °C



NO.	Descriptions	Material
1	Bolt	SWRM
2	Coil bonnet	SPC
3	Solenoid coil	B Class
4	Lead collar	NBR
5	Spacer	SPC
6	Plunger tube set	SUS 304, KM-31
7	Plunger spring	SUS 304
8	Plunger	KM-31
9	Plunger seat	H NBR, Silicon
10	O ring	NBR
11	Valve body	Zinc alloy