

2-way kick pilot operated diaphragm solenoid valves normally closed, energized to open

Features:

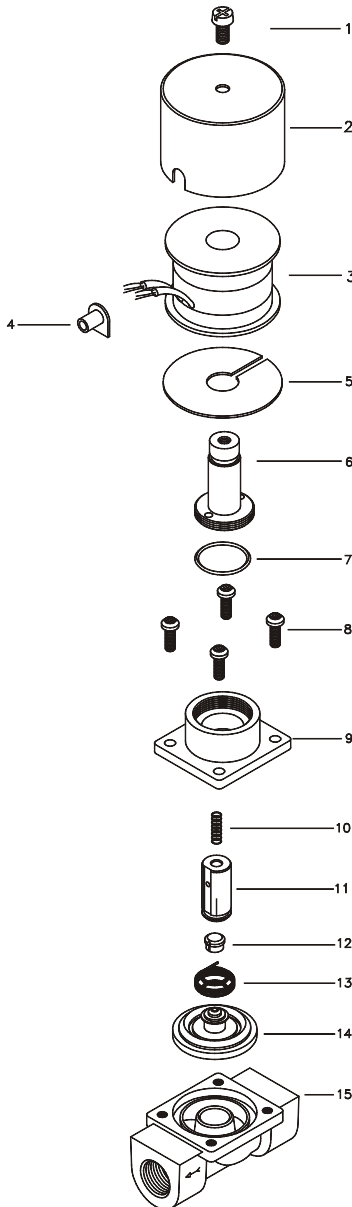
1. Suitable for air, inert gases, vacuum (10 TORR), water, kerosene oil, and oil (Below 50 cst).
2. Diaphragm-operated pressure rang from vacuum (10 TORR) up to 10kg*f/cm², quick acting.
3. Can be mounted in vertical and horizontal position.

Model	Connection	Orifice (mm)	Cv Value	Operating pressure (kg*f/cm ²)		Leakage	Max. Media Temp.	Power Consumption	
				Air, Inert gases Water	Oil (Below 50cst)			>0.1kg*f/cm ² 0cc/min	DC 18W AC 22VA
MA-10-(M13)	PT3/8"	12	2.4	0-10	0-7	≤0.1kg*f/cm ² 2cc/min	90°C	(M13)	DC 9W
MA-15-(M13)	PT1/2"		M13 1.6						AC 14VA

* Pressure : 0~15 , 0~20kg*f/cm² on request

* Pressure : 0-10kg*f/cm², AC110V/DC24V coil common use.

* M13 (Molding coil).

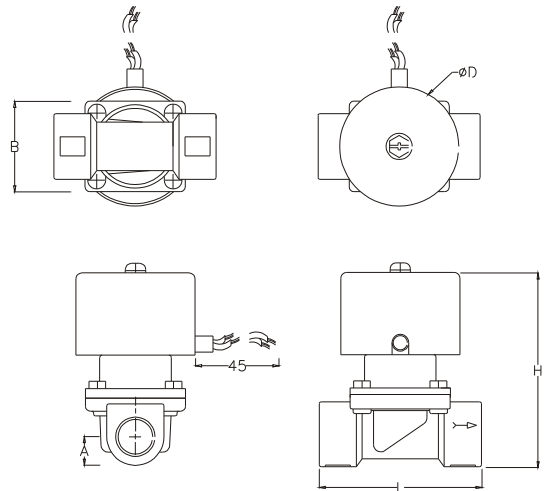


MA-15



MA-15-M13

Model	Conne ction	L (mm)	H (mm)	A (mm)	D (mm)	B (mm)
MA-10	PT3/8"	68	87	13.5	φ50	42
MA-15	PT1/2"					



Unit:mm

NO.	Descriptions	Material	NO.	Descriptions	Material
1	Bolt	SWRM	9	Valve bonnet	C3771BE
2	Coil bonnet	SPC	10	Plunger spring	SUS304
3	Solenoid coil	B Class	11	Plunger	KM-31
4	Lead collar	NBR	12	Plunger seat	H NBR (EPDM)
5	Spacer	SPC	13	Spring	SUS304
6	Plunger tube unit	SUS304, KM-31	14	Diaphragm a'ssy	SUS304, BSBF
7	O ring	NBR(EPDM)	15	Diaphragm a'ssy	H NBR (EPDM)
8	Bolt	SUS304	16	Valve body	C3771BE