

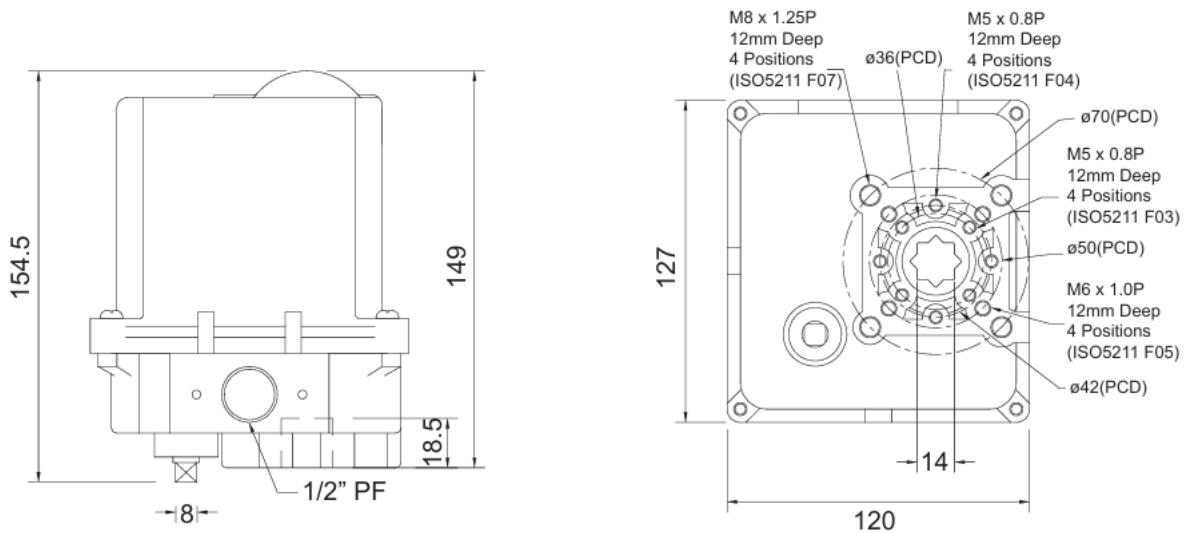
Outline Dimensions

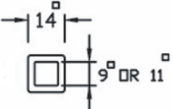


JS-01, JS-02

Mounting Flange (ISO5211): F03, F04, F05, F07

Unit: mm



Standard Component 

Option: Bracket, Connector

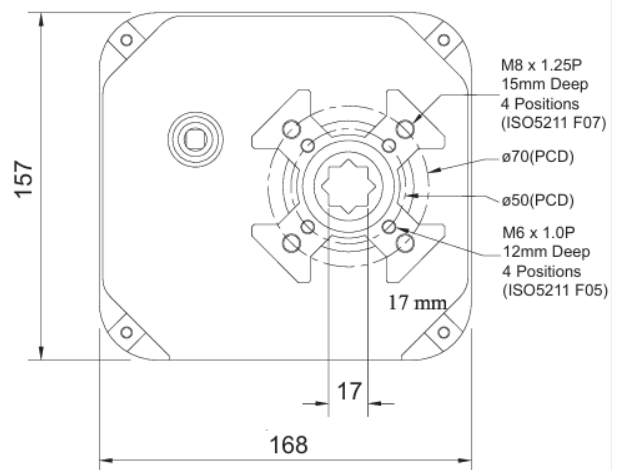
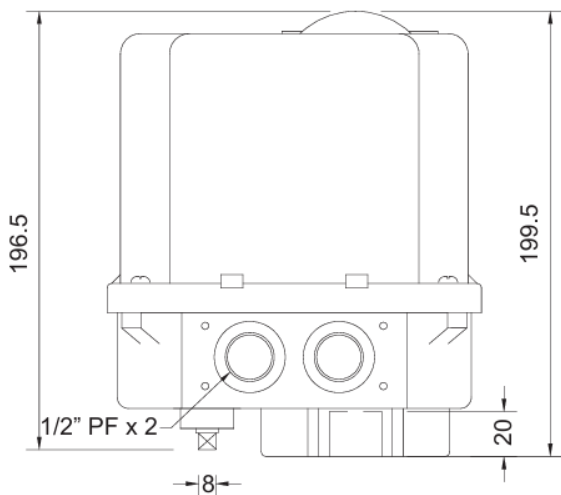
Outline Dimensions



JS-03

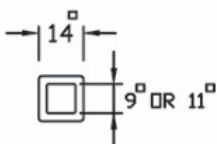
Mounting Flange (ISO5211): F05, F07

Unit: mm



Standard Component □ 14  

Option: Bracket, Connector

Option: 

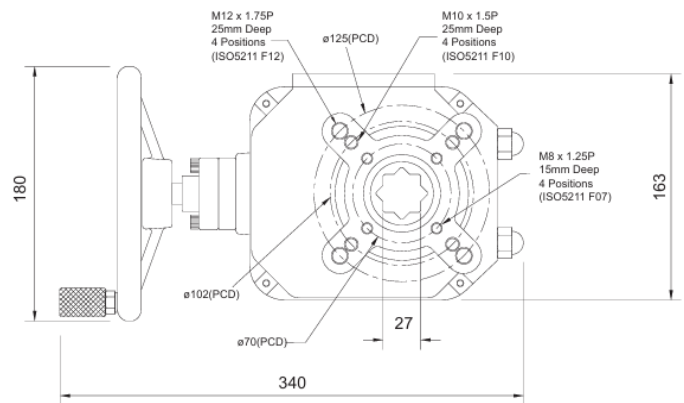
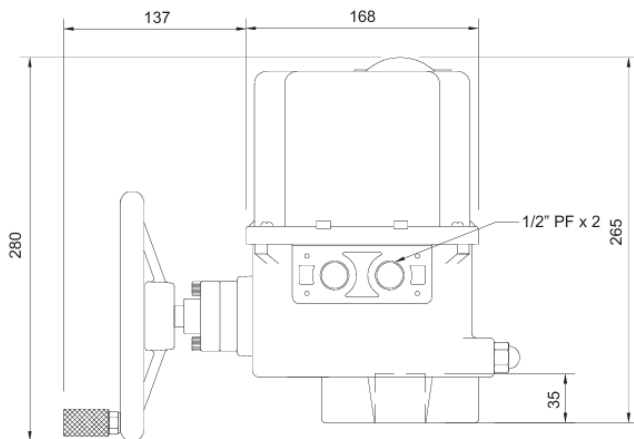
Outline Dimensions



JS-03H, JS-04H, JS-05H, JS-06H

Mounting Flange (ISO5211): F07, F10, F12

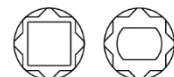
Unit: mm



Standard Component 17, 22

Option: Bracket, Connector

Option: 14, 16, 19, 21
 8, 11, 12

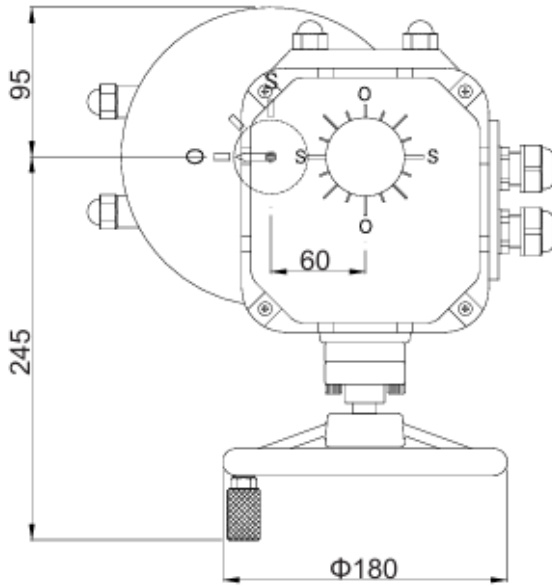


Outline Dimensions

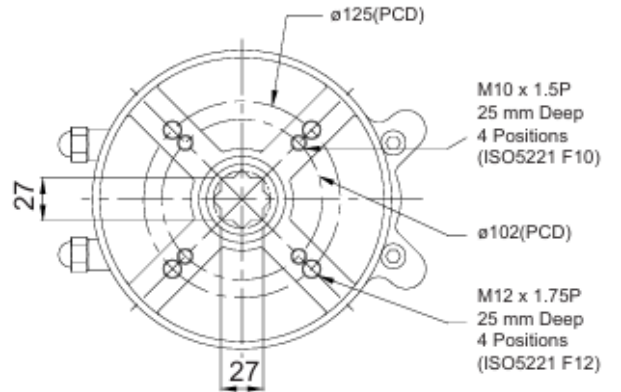
JS-06H-T08~T10

Mounting Flange (ISO5211): F10/F12, F10/F14

Unit: mm



A



B

