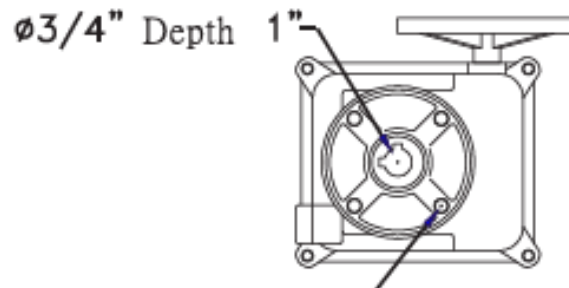
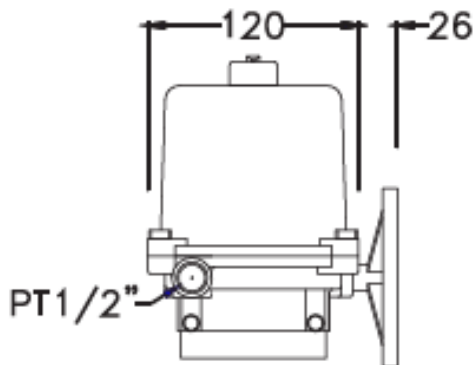
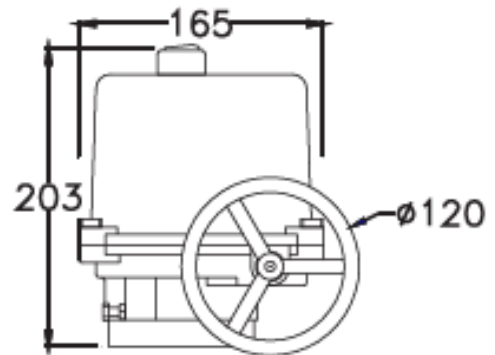
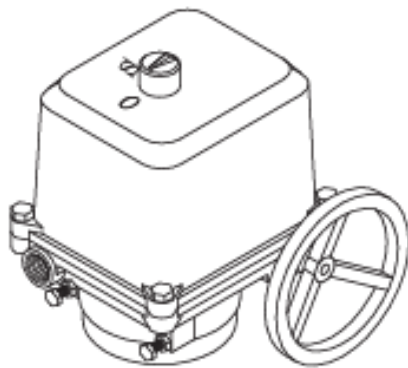


MK Electric Actuator Outline Dimensions



MK21

Unit: mm



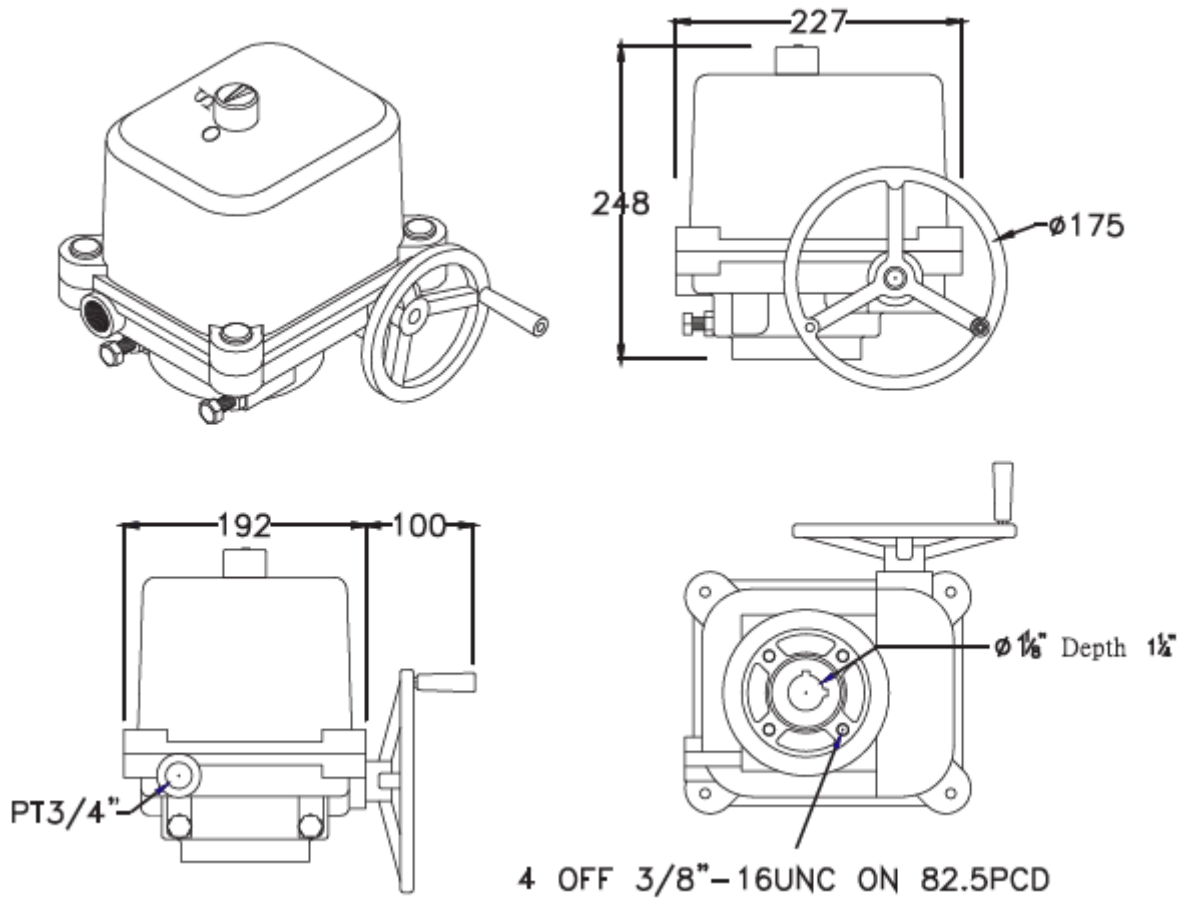
4 OFF 3/8-16UNC ON 82.5 PCD

MK Electric Actuator Outline Dimensions



MK22

Unit: mm

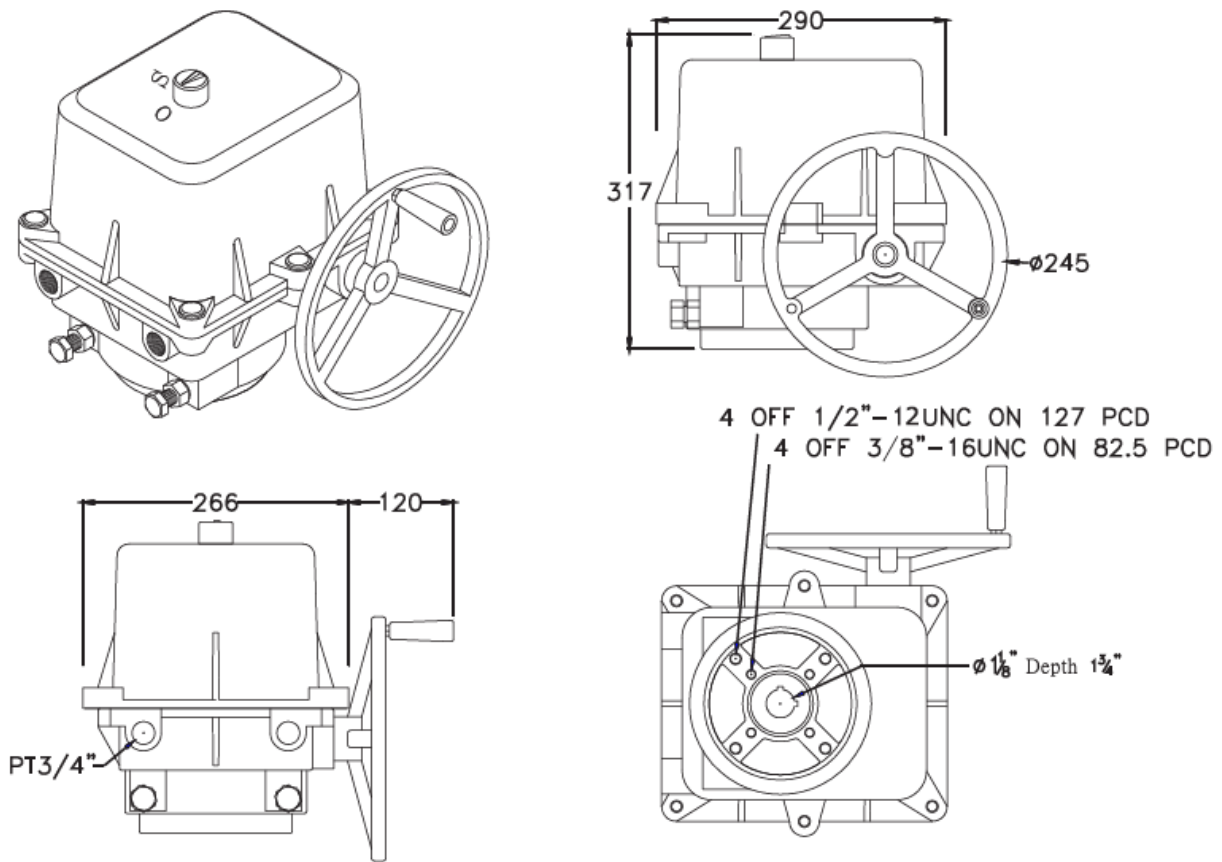


MK Electric Actuator Outline Dimensions



MK23

Unit: mm

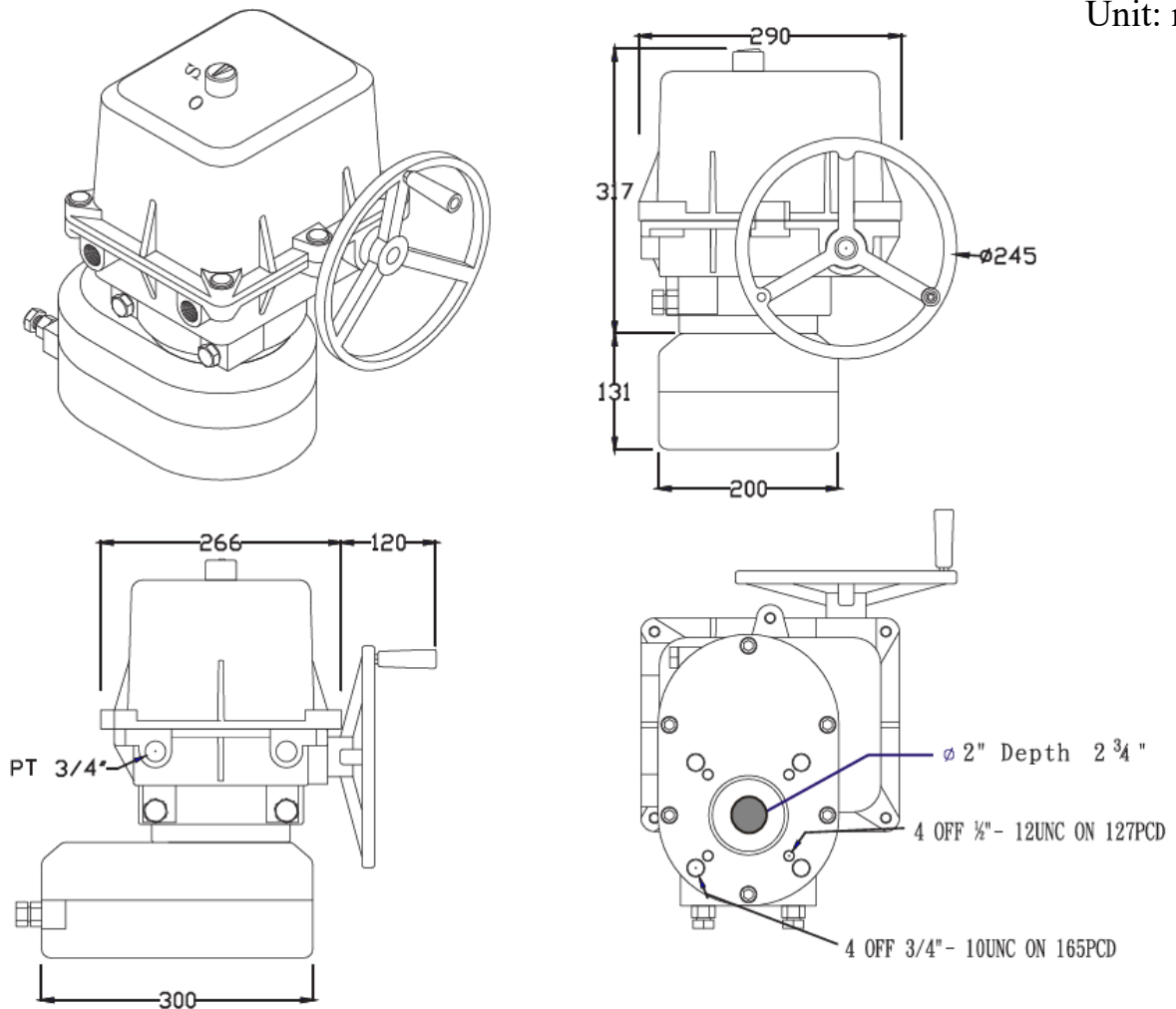


MK Electric Actuator Outline Dimensions



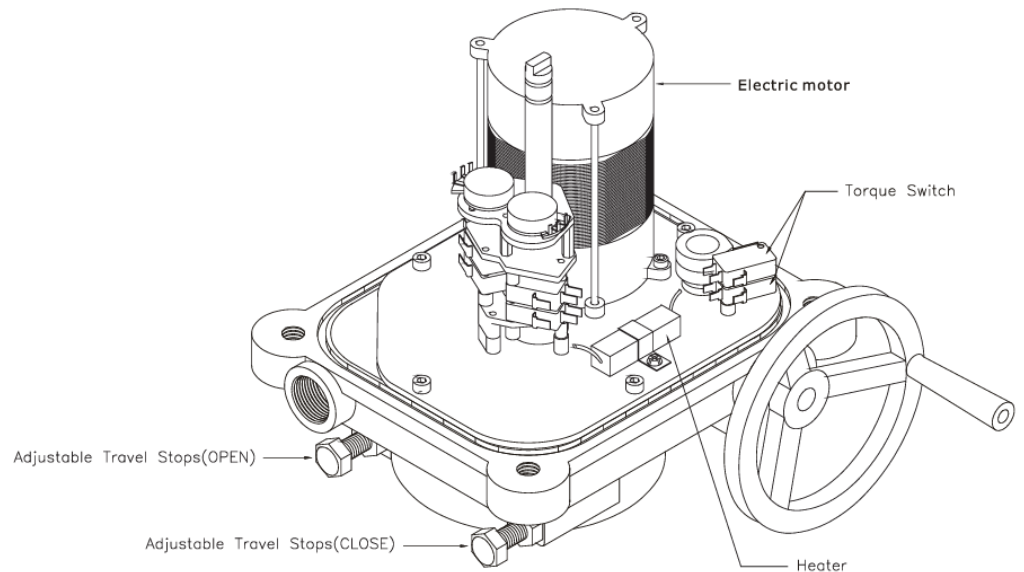
MK24

Unit: mm

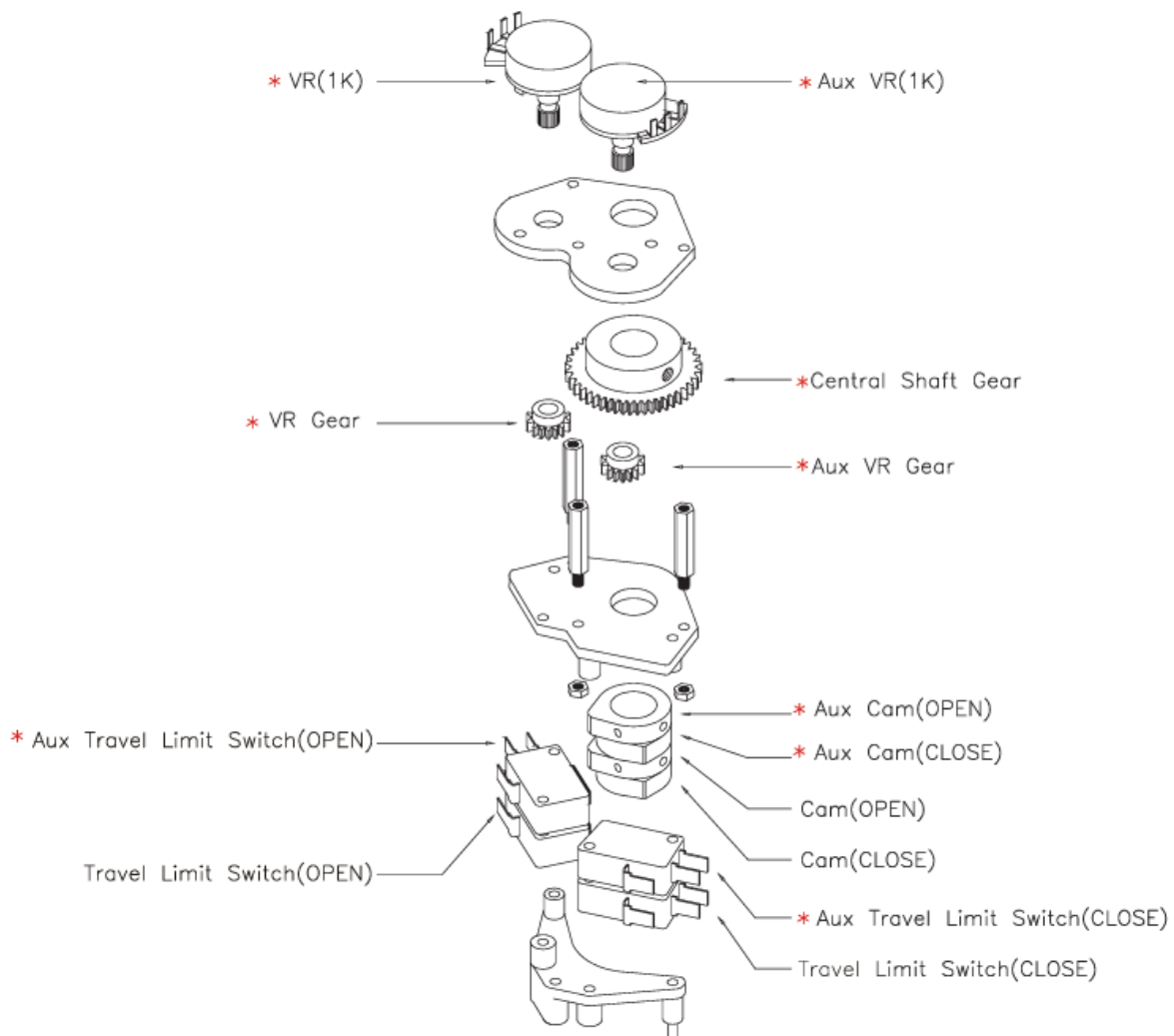


MK Electric Actuator Outline Dimensions

Component assembly drawing

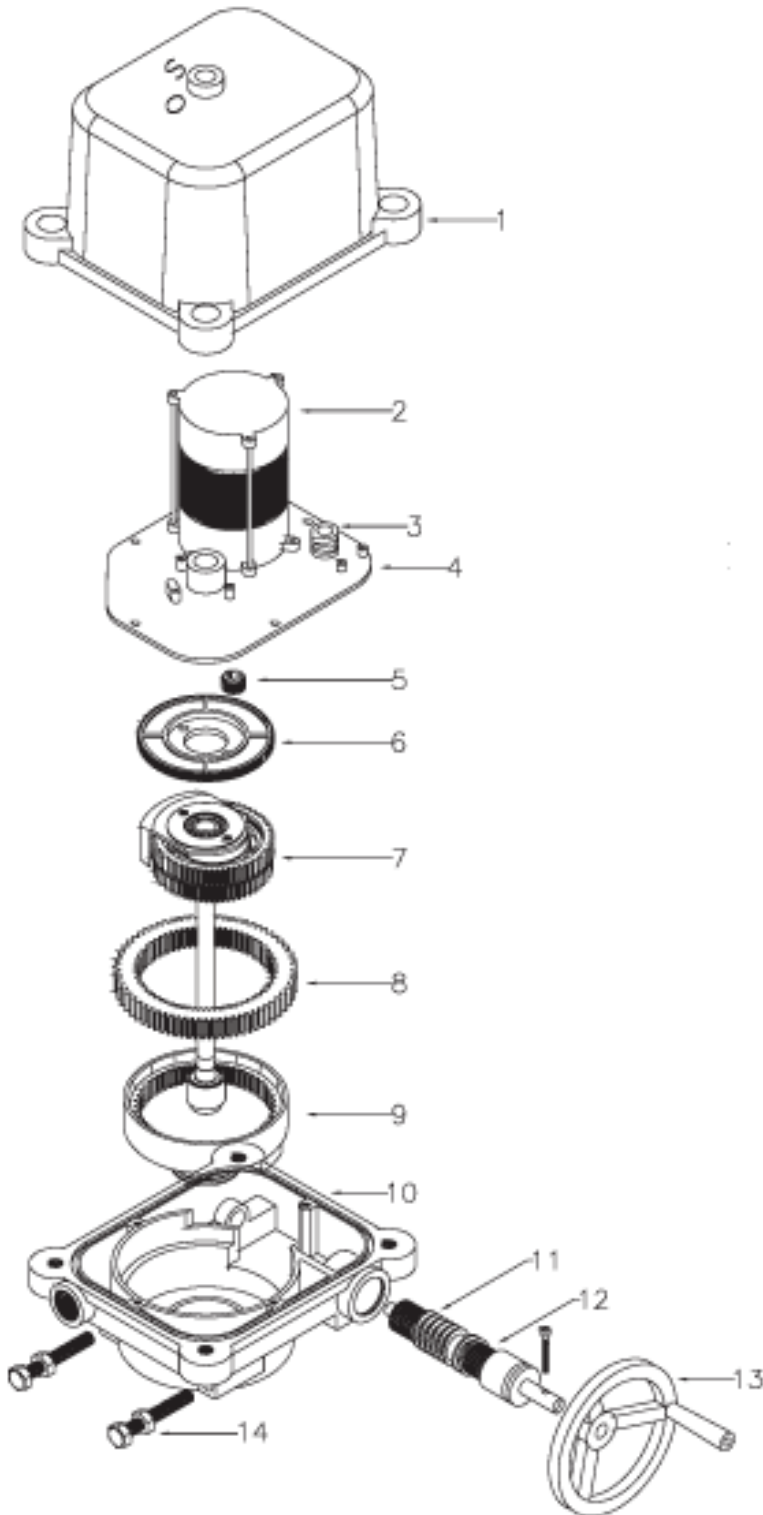


* symbol is optional component



MK Electric Actuator Outline Dimensions

Assembly Diagram



Parts No.	Parts List
1	Upper Cover
2	Electric Motor
3	Torque Switch Cam
4	Cover for gear box
5	Motor's gear
6	Gear
7	Planetary gear set
8	Gear
9	Gear
10	Gear Box
11	Worm gear
12	Conical spring
13	Hand wheel
14	Positional adjustable screw

