

Queen

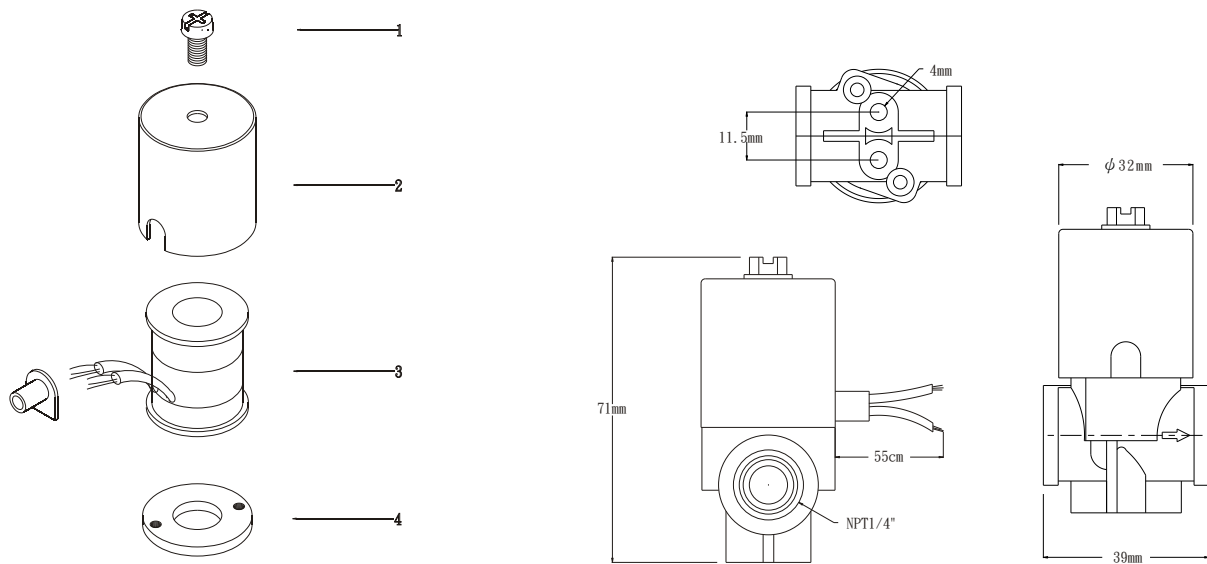
Direct acting 2-way solenoid valves normally closed, energized to open



Features:

1. Suitable for water, carbonated water (special design for home-used reverse osmosis water filtration system).
2. Direct acting 2-way solenoid valve fast response and long life.

Model	Connection	Orifice (mm)	Max. (Kg*f/cm ²)	Cv Value	Max. Media Temp.
			Water		
MS-0825-8NL	NPT 1/4"	2.5	8	0.22	60°C



NO.	Descriptions	Material
1.	Bolt	SWRM
2.	Coil bonnet	SPC
3.	Solenoid coil	B Class
4.	Spacer	SPC
5.	Plunger tube unit	SUS304 KM-31
6.	Spring	SUS 304
7.	Plunger	KM-31
8.	O ring	EPDM
9.	Valve body	NYLON 66
10.	Bolt	SUS304