

## 2-Way Kick Pilot Operated Diaphragm Solenoid Valves Normally Closed, Energized to Open



MD-15SCS14-M16

**Features:**

1. Suitable for air, inert gases, vacuum (10 TORR), water, kerosene oil, and oil (Below 50 cst).
2. Diaphragm-operated, pressure range from vacuum (10 TORR) up to 10kg\*f/cm<sup>2</sup>, quick acting.
3. Can be mounted in vertical and horizontal position.

Model	Connection	Orifice (mm)	Cv Value	Operating pressure (kg*f/cm <sup>2</sup> )		Max. Media Temp.	Power Consumption VA	H	L	B
				Air, Water Inert gases	Oil (Below 50cst)					
MD-10WAG-M16	PT 3/8"	16	3.7	0-10	0-7	90°C	26(DC) 35(AC)	80	70	57
MD-15WAG(SCS <sup>13</sup> <sub>14</sub> )-M16	PT 1/2"	16	3.7							
MD-20WAG(SCS <sup>13</sup> <sub>14</sub> )-M16	PT 3/4"	23	6.3							
MD-25WAG(SCS <sup>13</sup> <sub>14</sub> )-M16	PT 1"	28	8							
MD-32WAG(SCS <sup>13</sup> <sub>14</sub> )-M16	PT 1-1/4"	32	13							
MD-40WAG(SCS <sup>13</sup> <sub>14</sub> )-M16	PT 1-1/2"	40	20.3							
MD-50WAG(SCS <sup>13</sup> <sub>14</sub> )-M16	PT 2"	50	32							

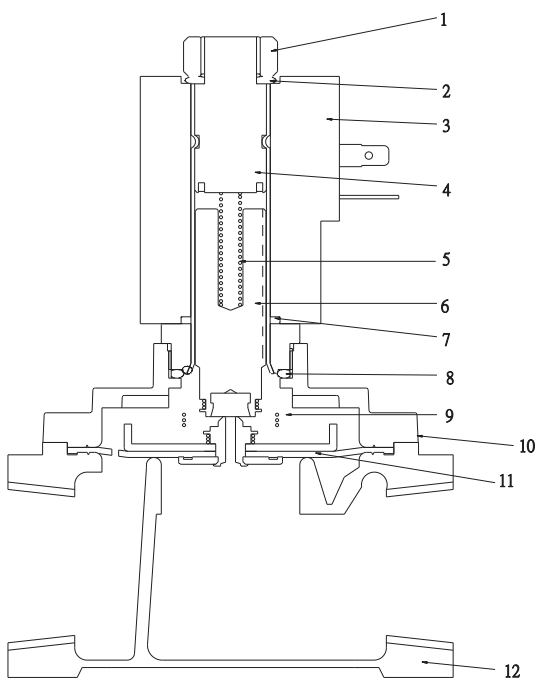
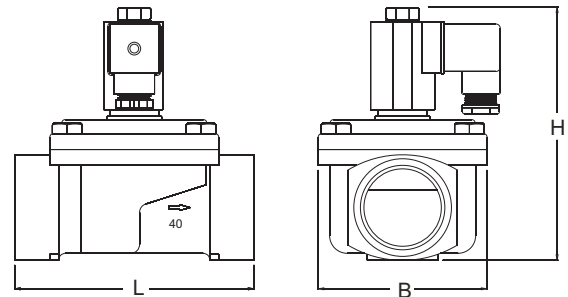
\* NPT On request. \* (SCS13) Valve bonnet, Valve body material SCS13.  
\* (SCS14) Valve bonnet, Valve body material SCS14.



MD-15WAG-M16



MD-40WAG-M16



NO.	Descriptions	Material
1	NUT	Aluminium
2	O ring	NBR
3	IP 65 molding coil	
4	Packless a'ssy	SUS304, KM-31
5	Plunger spring	SUS304
6	Plunger	KM-31
7	O ring	NBR
8	O ring	NBR
9	Spring	SUS304
10	Valve bonnet	3/8"-1"(C3771BE) 1-1/4"-2"(BC 6) 1/2"-2"(SCS13,SCS14)
11	Diaphragm a'ssy	SUS304, BSBF(SUS304) NBR(EPDM)(VITON)
12	Valve body	3/8"-1"(C3771BE) 1-1/4"-2"(BC 6) 1/2"-2"(SCS13,SCS14)

\* (SCS14) Valve bonnet, Valve body material SCS14.