

Queen

Direct acting 2-way solenoid valves normally open, energized to close

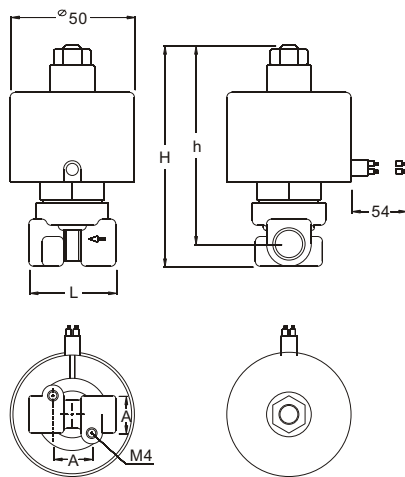
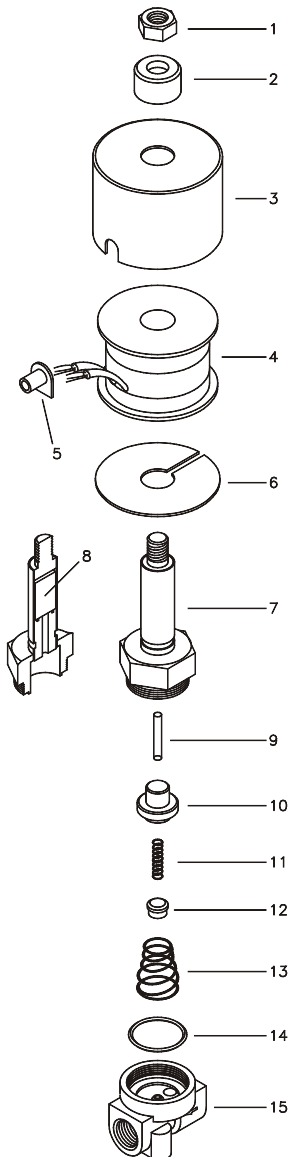


Features:

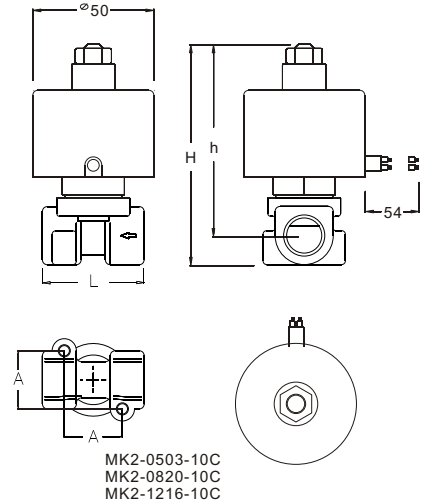
1. Suitable for air, inert gases, vacuum (10 TORR), water, kerosene oil, and oil (Below 50 cst).
2. Direct acting solenoid valves, normally open.
3. Can be mounted in vertical and horizontal position.

Model	Connection	Orifice (mm)	Max. (Kg*f/cm ²)		Power Consumption VA	Cv Value	Max. Media Temp.	Size (mm)			Mounting hole (mm)	
			Air	Water Oil				L	H	h	A	
MK2A-0530-8(10)C	PT 1/4"	3	4	3	22	0.25	90°C	35	89	80	18	2-M4 (1/4")
MK2A-0820-8(10)C		2	8	6		0.15						
MK2A-1216-8(10)C	PT 3/8"	1.6	12	8		0.095		42	91	88	24	2-M5 (3/8")

- * 1/8" on request.
- * NPT on request.
- * SUS304 valve body on request.



MK2-0503-8(6)C
MK2-0820-8(6)C
MK2-1216-8(6)C



MK2-0503-10C
MK2-0820-10C
MK2-1216-10C

NO.	Descriptions	Material	NO.	Descriptions	Material
1	NUT	SUS 304	9	Needle stem	SUS 304
2	Washer	SUS 304	10	Sleeve of plug	SUS 304
3	Coil bonnet	SPC	11	Spring	SUS 304
4	Solenoid coil	B Class	12	Plunger seat	H NBR
5	Lead collar	NBR	13	Spring	SUS 304
6	Spacer	SPC	14	O ring	NBR
7	Plunger tube unit	SUS 304, KM-31	15	Valve body	BSBF (* SUS303L)
8	Plunger	KM-31			

* SUS 303L on request.